

Application



Nv100 Series needle valve is design as mechanical pressure gauge accessories. With adjustable throttling device combined with the instrument, the needle valve provides easy flow regulation in all application. The design construction to provide long life free maintenance. It has an internal seat and the construction from bar stock material.

Specification



- Design model
 Nv101 : Needle valve, rating 6000 psi
 Nv102 : Needle valve, rating 10000 psi
- Design feature
 Valve design : Screwed bonnet
 Bonnet : Blow-out proof back seat
 Stem thread : Hard chrome plated particle build-up prevention
 Stem tip : Auto centering regulating and soft seat
 Dust cap : Inert thread contamination protector
 Handle : Low torque operating
 Sealing : Valve easy operating lead tight seal



Carbon Steel version

Stainless Steel version

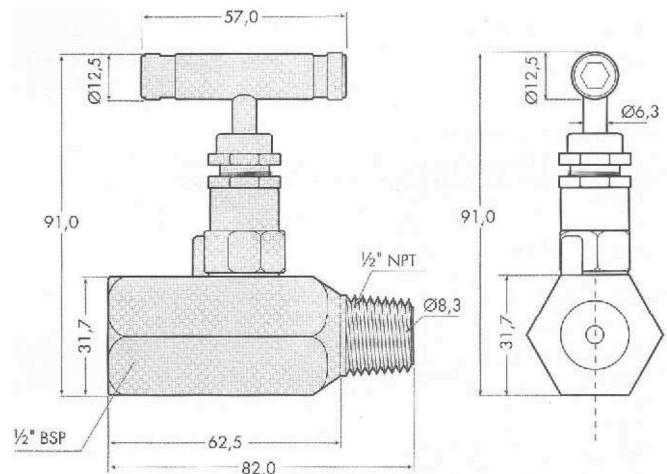
- Operating temperature
 Working temperature max. 120°C (Delrin seat)

ASTM Specification (Grade) and Material

Parts	Stainless steel	Carbon steel
Handle	SS 304	A 105
Set screw	SS 304	A 105
Lock nut	SS 304	A 105
Packing bolt	SS 316	A 105
Packing gland	SS 316	A 105
Packing washer	SS 316	SS 304
Packing	PTFE	PTFE
Bonnet	SS 316	A 105
Stem	SS 316	SS 304
Vee tip	SS 316 SS 630 / A564	
Ball tip	SS 316 SS 630 / A564	
Stop pin	SS 304	SS 301
Body	SS 316	A 105
Dust cap	Blue NBR (6000psi) Red NBR (10000psi)	



Dimension (mm)



* Dimension base on Male - Female, 1/2" NPT
 Other connection size may be different...

Ordering Code



NV^① - Material^② Connection Type^③ Connection Size^④

①	Design Pressure
101	Needle valve 6000 psi
102	Needle valve 10000 psi

②	Design Material
S	Stainless steel version
C	Carbon Steel Version

③	Connection Type
M	Male - Female
F	Female - Male

④	Option
G4	G 1/4"
N4	1/4" NPT
G3	G 3/8"
N3	3/8" NPT
G2	G 1/2"
N2	1/2" NPT
G5	G 3/4"
N5	3/4" NPT
G1	G 1"
N1	1" NPT

This catalogue is the property of BRO THOTERM and may not be reproduced without prior permission. Specification and material are subjected to changes or modification without prior notice.

BRO THOTERM
 GERMANY TECHNOLOGY