

Stainless steel Capillary **SSC Series**

Adjustable Snubber **AS Series**

AS Series



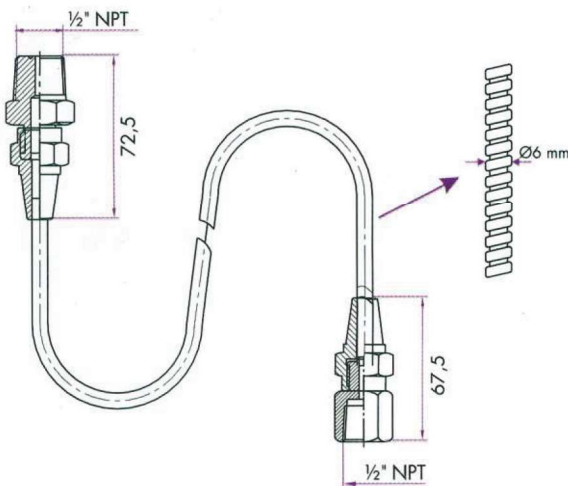
Application

SSC Series is a pressure capillary, designed as accessories for remote reading and media cooling function. With stainless steel tube and armored protection, it effective to cool down the hot medium before entering pressure gauge. Also it function as remote reading where small space is concern.

Feature

- Design Standard DIN 16282 and industrial standard
- Construction : SS316 Bare, SS304 armored protected
- Connection size : F x M ½" NPT, ¼" NPT or Gas
- Maximum working pressure 600 bar
- Temperature -40..+600 °C, depend on application

Dimension (mm)



Ordering Code

SSC100 - Connection ^① Length ^②

①	F x M Connection Size
G2	G ½"
N2	½" NPT
G4	G ¼"
N4	¼" NPT
②	Capillary Length (in Meter)
1	1 meter
2	2 meters
5	5 meters
X	Mention required Length !

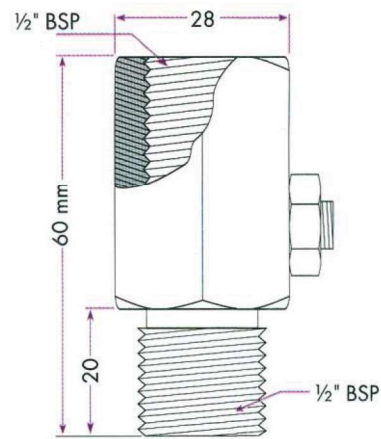


Application

AS Series is a adjustable snubber, which designed to protect pressure instruments againsts the effect of pressure pulses and pressure peaks. Have 2 choices of SS316 (AS110) or Brass material construction (AS100), provide wide ranges of general application usage.

Feature

- As100 series - Brass adjustable snubber
- As110 series - SS 316 + BUNA adjustable snubber
- Act as gauge protector from pressure pulse & peaks effect
- Construct with 1- piece body with adjustable spindle
- Max. working pressure 250 bar (brass), 400 bar (SS)
- Connection size ½" BSP, Gas or NPT (Standard)
- *Other connection size and material available !



AS ^① - Connection size ^②

①	F x M Connection Size
G2	G ½"
N2	½" NPT
G4	G ¼"
N4	¼" NPT

This catalogue is the property of BRO THOTERM and may not be reproduced without prior permission. Specification and material are subjected to changes or modification without prior notice.